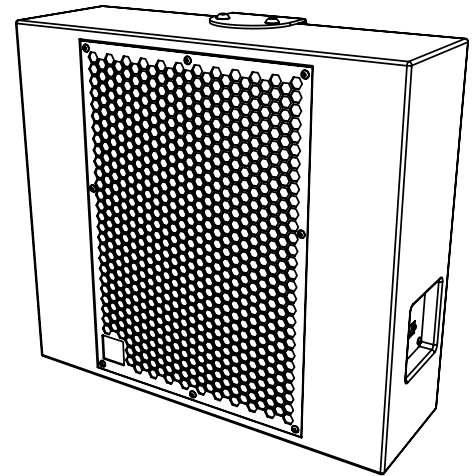


BASSO10i is a very compact 10" subwoofer that delivers serious SPL levels for installations that require professional sound reinforcement in spaces where integration and size are key requirements.

The 10" low-frequency transducer allows this compact, powerful box to deliver high-quality audio signal with maximum electro-acoustical efficiency and excellent LF performance.

This compact form-factor cabinet measures 145mm deep allowing for unobtrusive, discreet integration into any location while providing excellent SPL for low frequency reinforcement for professional installations thanks to the dedicated (included) wall-mount accessory.

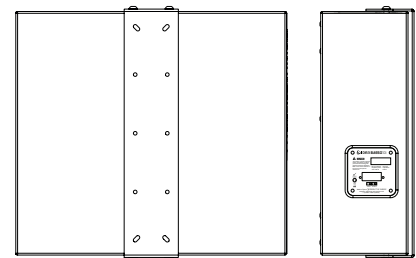
Built with the same durable, rugged construction as all **BASSO** family members, **BASSO10i** cabinet is made with 15 mm birch plywood and finished with exclusive IDEA Aquaforce textured painting. The 1.5 mm weatherized steel grille with Aquaforce coating and an internal foam panel provides long-term protection under any ambient conditions.



INCLUDED INSTALLATION ACCESSORY

BASSO10i is served with a dedicated installation accessory for wall-mount fitting providing a convenient, stylish integration in the venue.

Fit the U-Bracket to the wall, then fit the subwoofer using the top and bottom M8 threaded bolts.



The wall-mount U-bracket accessory allows for convenient installation of BASSO10i

SYSTEM CONFIGURATION AND SETTINGS

BASSO10i is an installation subwoofer for distributed audio and fixed installations that seamlessly integrates with IDEA **LUA3i** and **LUA5i** as well as matching third-party sound reinforcement solutions.

The following are recommended amplifier adjustments. Dial the most appropriate of these settings in the amplifier according to the application and system configuration.

For precise phase and level adjustments when setting the mid/high frequency loudspeakers use dedicated measurement software (SmaartLive and SatLive).

Preset LPF@180Hz:

HPF But24, 50Hz
LPF But 24, 185Hz

EQ1: 305Hz, Q=2, +10dB
EQ2: 497Hz, Q=3, -4dB
EQ3: 167Hz, Q=5, +3.5dB

Preset LPF@210Hz:

HPF But24, 50Hz
LPF But 24, 210Hz

EQ1: 305Hz, Q=2, +10dB
EQ2: 497Hz, Q=3, -4dB
EQ3: 182Hz, Q=5, +3.5dB

Preset LPF@225Hz:

HPF But24, 50Hz
LPF But 24, 240Hz

EQ1: 305Hz, Q=2, +10dB
EQ2: 497Hz, Q=3, -4dB
EQ3: 200Hz, Q=4, +2.5dB

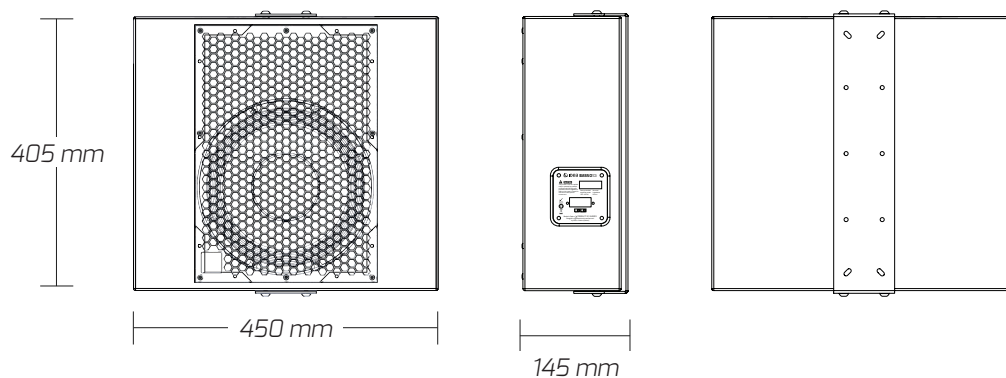
TECHNICAL DATA

Enclosure design	Bass Reflex - Side-firing port
Transducers	10"
RMS Power Handling *	200 W
Nominal Impedance	8 Ohm
SPL (Continuous/Peak)	115/121 dB SPL
Frequency Range (-10 dB)	70 - 220/260/285 Hz
Frequency Range (-3 dB)	84 - 180/210/225 Hz
Dimensions (WxHxD)	450 x 405 x 145 mm (17,7 x 15,9 x 5,7 inch)
Weight	10,6 kg (23,4 lbs)
Connectors	Euroblock Terminal
Cabinet Construction	15 mm birch plywood
Grille	1.5 mm perforated weatherised steel with protective foam
Finish	Durable, high-resistance IDEA-proprietary Aquaforce paint coating process
Installation	Dedicated wall-mount accessory (UB-B10i-V)

* IEC filtered pink noise with a 6dB crest factor, 2 hours.

** Frequency range values for recommended factory presets.

TECHNICAL DRAWINGS





www.ideaproaudio.com



For further information scan the QR Code
or refer to the following web address: www.ideaproaudio.com/basso10i

IDEA is always in pursuit of better performance, greater reliability and design features.
Technical specifications and minor finish details may vary without notice in order to improve our products.

©2017 - I MAS D Electroacústica SL
Av. Constitución 5-9 46009 VALENCIA