

EVO55-P

Dual-5" 4-element Passive Line-Array System



QuickStart Guide

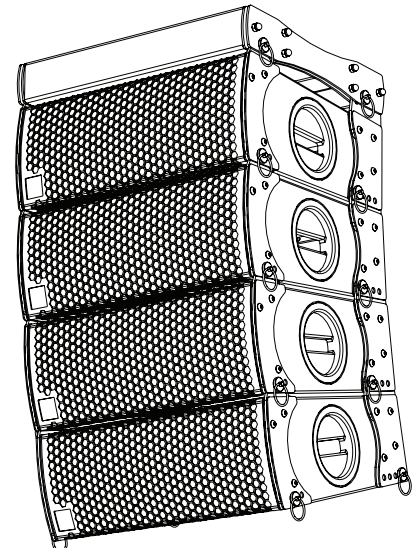
EVO55-P systems are unique professional portable sound reinforcement systems that offer excellent modularity and versatility.

The very compact 4-element array cluster (smaller than a typical 15" 2-way loudspeaker) will always deliver SPL and coverage beyond the physical size of the system, while it can be rigged and operated with minimal logistical resources. It can be pole mounted, stacked and flown very easily by only one operator.

EVO55-P features HF assembly with a 1.75" compression driver and a proprietary wave-guide design and a dual-5" woofer configuration for the LF section.

These premium-quality, high-performance European transducers a dedicated passive crossover filter allow for a natural, linear response throughout the useful frequency range spectrum without any processing of the system.

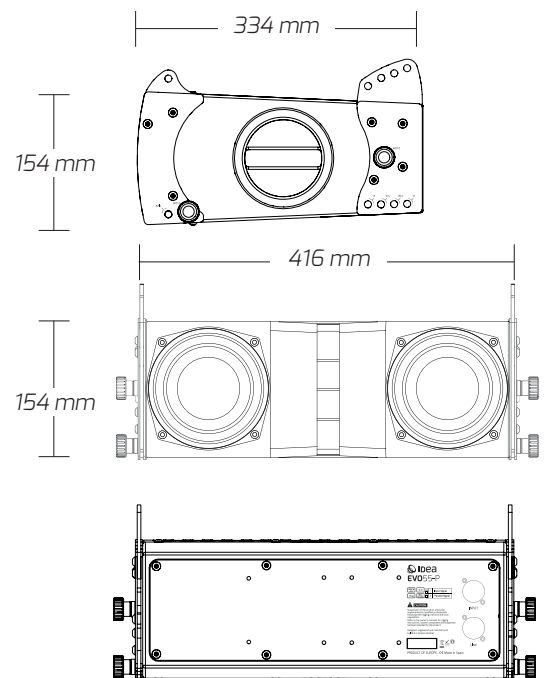
The integrated weatherized steel rigging structure and stacking, transport and rigging accessories make **EVO55-P** a really plug-and-play system.



TECHNICAL DATA

Enclosure design	5° Trapezoidal ported cabinet
LF Transducers	2 x 5" High performance woofers
HF Transducers	1" Voice coil Compression Driver
RMS Power Handling *	300 W
SPL (Continuous/Peak)	119/125 dB SPL
Frequency Range (-10 dB)	69 - 19000 Hz
Frequency Range (-3 dB)	95 - 17000 Hz
Coverage	90° Horizontal
Connectors	2 x Neutrik® SpeakON NL-4
+/- 1	Input
+/- 2	Link
Cabinet Construction	15 mm Plywood with Aquaforce finish
Rigging Hardware	High-resistance, coated steel integrated 4-point rigging hardware 10 angulation points (0°-10° internal splay angles in 1° steps)
Dimensions (WxHxD)	416 x 154 x 334 mm (16,4 x 6,1 x 13,1 inch)
Weight	13 kg (28,7 lbs)
Accessories	Rigging frame (RF-EVO55) Transport cart for 4 units (CART_EVO55) Cover for 4 units (COVER_EVO55)

TECHNICAL DRAWINGS



IDEA is always in pursuit of better performance, greater reliability and design features. Technical specifications and minor finish details may vary without notice in order to improve our products.

©2017 - I MAS D Electroacústica SL Av. Constitución 5-9 46009 VALENCIA



For further information, scan the QR Code or refer to the following web address:
www.ideaproaudio.com/evo55-P

WARNINGS AND SAFETY GUIDELINES

- Read this document thoroughly, follow all safety warnings and keep it for future reference.



- The exclamation mark inside a triangle indicates that whatever repairing and component replacement operations must be done by qualified and authorized personnel.
- No user serviceable parts inside.
- Only use accessories tested and approved by IDEA and supplied by the manufacturer or an authorized dealer.



- Installations, rigging and suspension operations must be done by qualified personnel.
- Only use accessories specified by IDEA, complying with maximum loads specifications and following local safety regulations.
- Read the specifications and connection instructions before proceeding to connect the system and use only cabling supplied or recommended by IDEA. Connection of the system should be done by qualified personnel.
- Professional sound reinforcement systems can deliver high SPL levels that may result in hearing damage. Do not stand close to the system while in use.



- Loudspeakers produce magnetic field even while they are not in use or even when disconnected. Do not place or expose loudspeakers to any device that is sensitive to magnetic fields such as television monitors or data storage magnetic material.
- Disconnect the equipment during lightning storms and when it is not to be used for a long time.
- Do not expose this device to rain or moisture.
- Do not place any objects containing liquids, such as bottles or glasses, on the top of the unit. Do not splash liquids on the unit.
- Clean with a wet cloth. Do not use solvent-based cleaners.
- Regularly check the loudspeaker housings and accessories for visible signs of wear and tear, and replace them when necessary.
- Refer all servicing to qualified service personnel.



- This symbol on the product indicates that this product should not be treated as household waste. Follow local regulation for recycling of electronic devices.
- IDEA declines any responsibility from misuse that may result in malfunction or damage of the equipment.

WARRANTY

- All IDEA products are guaranteed against any manufacturing defect for a period of 5 years from date of purchase for acoustical parts and 2 years from date of purchase for electronic devices.
- The guarantee excludes damage from incorrect use of the product.
- Any guarantee repair, replacement and servicing must be exclusively done by the factory or any of authorized service centres.
- Do not open or intend to repair the product; otherwise servicing and replacement will not be applicable for guarantee repair.
- Return the damaged unit, at shipper's risk and freight prepaid, to the nearest service centre with a copy of the purchase invoice in order to claim guarantee service or replacement.

DECLARATION OF CONFORMITY

I MAS D Electroacústica SL

Constitución 5 – 9, 46009 VALENCIA (Spain)

Declares that: **EVO55-P**

Complies with the following EU Directives:

- RoHS (2002/95/CE) Restriction of Hazardous Substances
- LVD (2006/95/CE) Low Voltage Directive
- EMC (2004/108/CE) Electro-Magnetic Compatibility
- WEEE (2002/96/CE) Waste of Electric and Electronic Equipment
- EN 60065: 2002 Audio, video and similar electronic apparatus. Safety requirements.
- EN 55103-1: 1996 Electromagnetic compatibility; Emission
- EN 55103-2: 1996 Electromagnetic compatibility; Immunity