

EVO88-M



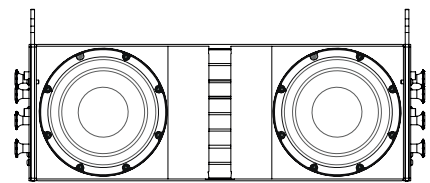
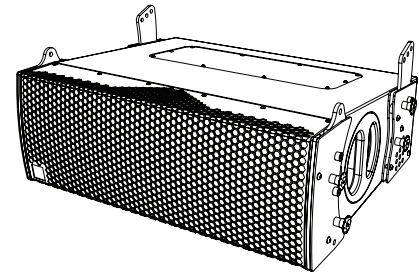
Dual-8" Active Line-Array system

QuickStart Guide

EVO88-M is a multipurpose line-array system that can serve as a portable or installed FOH solution for medium to large venues and as ancillary side/down fill for larger PA systems, with a coherent, natural sound within the coverage area and superior power delivery in its category

EVO88-M is an active line-array element that features a 1,2 kW Class-D Powersoft power module. One unit of self-powered **EVO88-M** feeds one passive **EVO88-P**, integrating a straightforward active system that optimises costs, setup and logistics.

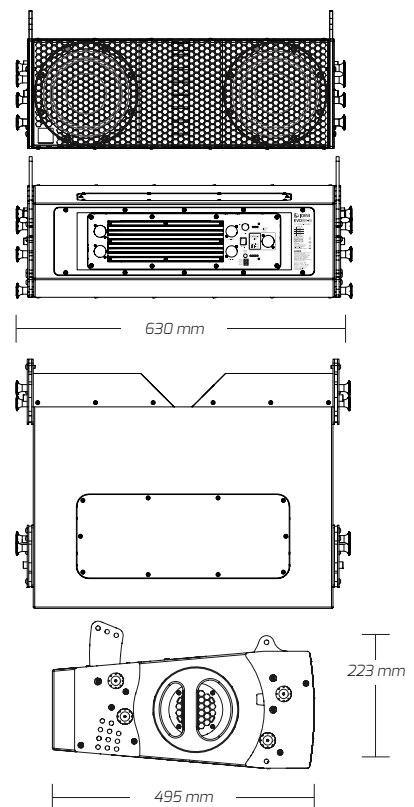
The HF assembly mounts a 3" compression driver and an IDEA proprietary Hi-Q waveguide allowing for minimum vertical gap between array elements providing optimum element coupling and reducing artifacts and DSP adjustments while providing optimum directivity control. For LMF section, **EVO88-M** mounts dual very high-performance 8" woofers.



TECHNICAL DATA

Enclosure design	10° Trapezoidal ported cabinet
LF Transducers	2 x 8" High performance woofers
HF Transducers	3" Voice coil Compression Driver
Class D Amp Continuous Power	1,2 kW Class-D
DSP	24bit @ 48kHz AD/DA Advanced limiters and FIR Filters 4 selectable presets
Presets	Preset1: 4 array elements Preset2: 8 array elements Preset3: 12 array elements Preset4: 16 array elements
Aiming/Prediction Software	EASE FOCUS
SPL (Continuous/Peak)	127/133 dB SPL
Frequency Range (-10 dB)	52 - 23000 Hz
Frequency Range (-3 dB)	72 - 21000 Hz
Coverage	90° Horizontal
Audio Signal Connectors	
Input	XLR
Output	XLR
AC Connectors	2 x Neutrik® PowerCON
Power Supply	Universal, regulated switch mode
Nominal Power Requirements	100 - 240 V 50-60 Hz
Current Consumption	0.81 A
Cabinet Construction	15/18 mm Plywood with Aquaforce finish
Rigging Hardware	High-resistance, coated steel integrated 4-point rigging hardware 10 angulation points (0°-10° internal splay angles in 1° steps)
Dimensions (WxHxD)	630 x 223 x 495 mm (24,8 x 8,8 x 19,5 inch)
Weight	35,5 kg (78,2 lbs)
Accessories	1 x Neutrik® XLR - XLR balanced audio 70-cm link cable (included) 1 x Neutrik® SpeakON NL-4 70-cm link cable (included) 1 x Neutrik® PowerCON - PowerCON 70-cm link cable (included) Rigging frame (RF-600) Transport cart for 4 units (CART_EVO88) Cover for 4 units (COVER_EVO88)

TECHNICAL DRAWINGS



For further information, scan the QR Code or refer to the following web address:
www.ideaaudio.com/evo88-m

IDEA is always in pursuit of better performance, greater reliability and design features. Technical specifications and minor finish details may vary without notice in order to improve our products.

©2017 - I MAS D Electroacústica SL
Av. Constitución 5-9 46009 VALENCIA

WARNINGS AND SAFETY GUIDELINES



- Read this document thoroughly, follow all safety warnings and keep it for future reference.
- The exclamation mark inside a triangle indicates that whatever repairing and component replacement operations must be done by qualified and authorized personnel.
- No user serviceable parts inside.
- Only use accessories tested and approved by IDEA and supplied by the manufacturer or an authorized dealer.



- Installations, rigging and suspension operations must be done by qualified personnel.
- This is a Class I device. Do not remove Mains connector ground.
- Only use accessories specified by IDEA, complying with maximum loads specifications and following local safety regulations.



- Read the specifications and connection instructions before proceeding to connect the system and use only cabling supplied or recommended by IDEA. Connection of the system should be done by qualified personnel.
- Professional sound reinforcement systems can deliver high SPL levels that may result in hearing damage. Do not stand close to the system while in use.



- Loudspeakers produce magnetic field even while they are not in use or even when disconnected. Do not place or expose loudspeakers to any device that is sensitive to magnetic fields such as television monitors or data storage magnetic material.
- Keep the equipment in the safe working temperature range [0°-45°] at all times.
- Disconnect the equipment during lightning storms and when it is not to be used for a long time.
- Do not expose this device to rain or moisture.
- Do not place any objects containing liquids, such as bottles or glasses, on the top of the unit. Do not splash liquids on the unit.
- Clean with a wet cloth. Do not use solvent-based cleaners.
- Regularly check the loudspeaker housings and accessories for visible signs of wear and tear, and replace them when necessary.
- Refer all servicing to qualified service personnel.



- This symbol on the product indicates that this product should not be treated as household waste. Follow local regulation for recycling of electronic devices.
- IDEA declines any responsibility from misuse that may result in malfunction or damage of the equipment.

WARRANTY

- All IDEA products are guaranteed against any manufacturing defect for a period of 5 years from date of purchase for acoustical parts and 2 years from date of purchase for electronic devices.
- The guarantee excludes damage from incorrect use of the product.
- Any guarantee repair, replacement and servicing must be exclusively done by the factory or any of authorized service centres.
- Do not open or intend to repair the product; otherwise servicing and replacement will not be applicable for guarantee repair.
- Return the damaged unit, at shipper's risk and freight prepaid, to the nearest service centre with a copy of the purchase invoice in order to claim guarantee service or replacement.

DECLARATION OF CONFORMITY

I MAS D Electroacústica SL

Constitución 5 – 9, 46009 VALENCIA (Spain)

Declares that: **EVO88-M**

Complies with the following EU Directives:

- RoHS (2002/95/CE) Restriction of Hazardous Substances
- LVD (2006/95/CE) Low Voltage Directive
- EMC (2004/108/CE) Electro-Magnetic Compatibility
- WEEE (2002/96/CE) Waste of Electric and Electronic Equipment
- EN 60065: 2002 Audio, video and similar electronic apparatus. Safety requirements.
- EN 55103-1: 1996 Electromagnetic compatibility; Emission
- EN 55103-2: 1996 Electromagnetic compatibility; Immunity