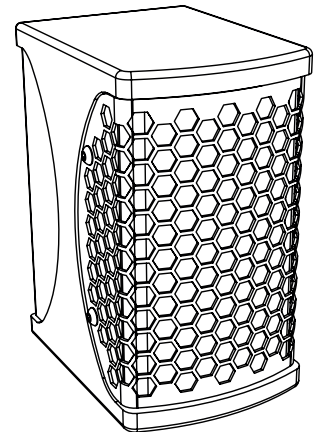


LUA3i is a super compact dual driver satellite speaker, created to provide surprising performance and audio reproduction quality in a minimal package, for most distributed audio applications, with emphasis on those that benefit from absolute intelligibility for voice messages and truly enjoyable music reproduction in combination with **BASSO10** and **BASSO10i** subwoofers.

This small but rugged box is built and finished with the same durable materials providing a premium quality, stylish solution for distributed audio professional installations.

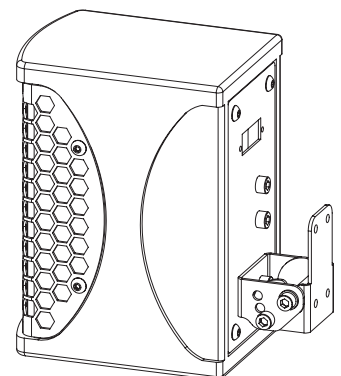
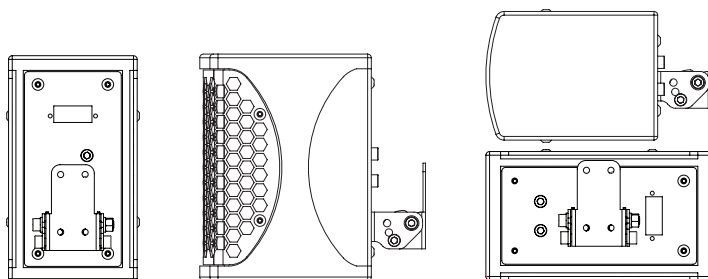
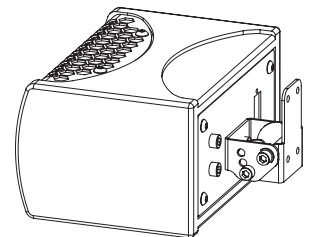
Together with **BASSO** Series installation subwoofers **BASSO10** and wall-mount **BASSO10i**, **LUA3i** will deliver balanced, pristine audio reproduction with surprising performance levels and excellent high frequency definition.



INCLUDED INSTALLATION ACCESSORY


LUA3i is served with a dedicated installation accessory for both vertical and horizontal positioning and different angulation points for precised and controlled coverage.

Fit the U-Bracket to the wall, then choose among the threaded M8 inserts in the rear panel to position the loudspeaker vertically or horizontally and set the desired angulation.



SYSTEM CONFIGURATION AND SETTINGS

LUA3i is a high performance satellite loudspeaker that requires the LF reinforcement of **BASSO** Series subwoofers **BASSO10** and wall-mount **BASSO10i** (other third-party loudspeakers can also be used provided the settings of the system are preserved).

 Butt 24 90 Hz	For best results and long-life performance of this professional audio equipment, a High-Pass Filter Butterworth 24 dB at 90 Hz must be set.
--	---

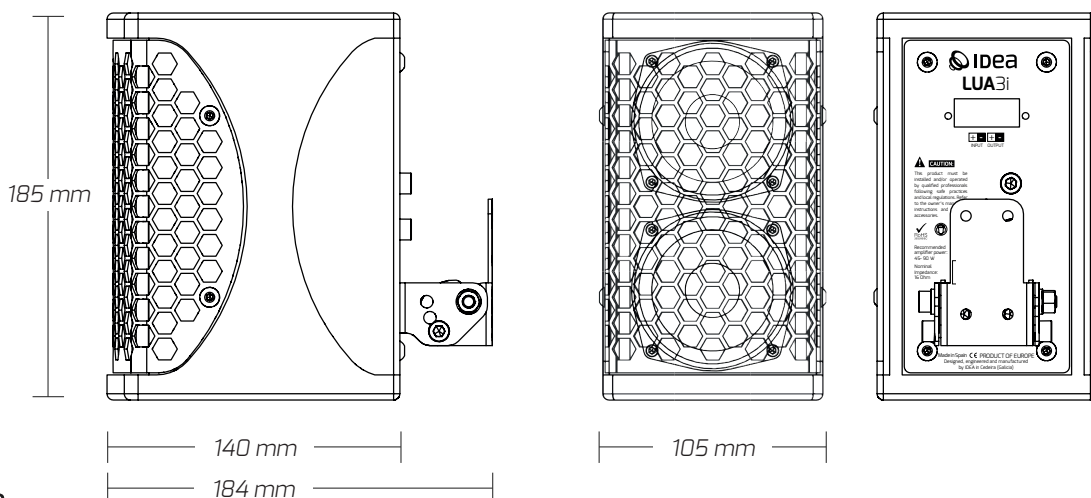
TECHNICAL DATA

Enclosure design	Trapezoidal · Sealed enclosure
Transducers	2 x 3" High performance woofers
RMS Power Handling *	60 W
Nominal Impedance	16 Ohm
SPL (Continuous/Peak)	110/116 dB SPL
Frequency Range (-10 dB)	120 - 20000 Hz
Frequency Range (-3 dB)	180 - 20000 Hz
Coverage	80°x 45°
Dimensions (WxHxD)	105 x 185 x 140 mm (4,1 x 7,3 x 5,5 inch)
Weight	3 kg (6,6 lbs)
Connectors	Euroblock terminal
Cabinet Construction	12 mm Birch Plywood
Grille	1.5 mm perforated weatherised steel with protective foam
Finish	Durable IDEA proprietary Aquaforce high-resistance paint coating process
Installation	Dedicated included wall-mount (H/V) accessory (UB-L3i)





* IEC filtered pink noise with a 6dB crest factor, 2 hours.

** Frequency range values for recommended factory presets.

TECHNICAL DRAWINGS



WARNINGS AND SAFETY GUIDELINES

- Read this document thoroughly, follow all safety warnings and keep it for future reference.
-  · The exclamation mark inside a triangle indicates that whatever repairing and component replacement operations must be done by qualified and authorized personnel.
- No user serviceable parts inside.
- Only use accessories tested and approved by IDEA and supplied by the manufacturer or an authorized dealer.
- Installations, rigging and suspension operations must be done by qualified personnel.
- Only use accessories specified by IDEA, complying with maximum loads specifications and following local safety regulations.
-  · Read the specifications and connection instructions before proceeding to connect the system and use only cabling supplied or recommended by IDEA. Connection of the system should be done by qualified personnel.
- Professional sound reinforcement systems can deliver high SPL levels that may result in hearing damage. Do not stand close to the system while in use.
-  · Loudspeakers produce magnetic field even while they are not in use or even when disconnected. Do not place or expose loudspeakers to any device that is sensitive to magnetic fields such as television monitors or data storage magnetic material.
- Disconnect the equipment during lightning storms and when it is not to be used for a long time.
- Do not expose this device to rain or moisture.
- Do not place any objects containing liquids, such as bottles or glasses, on the top of the unit. Do not splash liquids on the unit.
- Clean with a wet cloth. Do not use solvent-based cleaners.
- Regularly check the loudspeaker housings and accessories for visible signs of wear and tear, and replace them when necessary.
- Refer all servicing to qualified service personnel.
-  · This symbol on the product indicates that this product should not be treated as household waste. Follow local regulation for recycling of electronic devices.
- IDEA declines any responsibility from misuse that may result in malfunction or damage of the equipment.

WARRANTY

- All IDEA products are guaranteed against any manufacturing defect for a period of 5 years from date of purchase for acoustical parts and 2 years from date of purchase for electronic devices.
- The guarantee excludes damage from incorrect use of the product.
- Any guarantee repair, replacement and servicing must be exclusively done by the factory or any of authorized service centres.
- Do not open or intend to repair the product; otherwise servicing and replacement will not be applicable for guarantee repair.
- Return the damaged unit, at shipper's risk and freight prepaid, to the nearest service centre with a copy of the purchase invoice in order to claim guarantee service or replacement.

DECLARATION OF CONFORMITY

I MAS D Electroacústica SL

Constitución 5 – 9, 46009 VALENCIA (Spain)

Declares that: **LUA3i**

Complies with the following EU Directives:

- RoHS (2002/95/CE) Restriction of Hazardous Substances
- LVD (2006/95/CE) Low Voltage Directive
- EMC (2004/108/CE) Electro-Magnetic Compatibility
- WEEE (2002/96/CE) Waste of Electric and Electronic Equipment
- EN 60065: 2002 Audio, video and similar electronic apparatus. Safety requirements.
- EN 55103-1: 1996 Electromagnetic compatibility; Emission
- EN 55103-2: 1996 Electromagnetic compatibility; Immunity



www.ideaproaudio.com



For further information scan the QR Code
or refer to the following web address: www.ideaproaudio.com/lu3i

IDEA is always in pursuit of better performance, greater reliability and design features.
Technical specifications and minor finish details may vary without notice in order to improve our products.

©2017 - I MAS D Electroacústica SL
Av. Constitución 5-9 46009 VALENCIA